

# Data Sheet

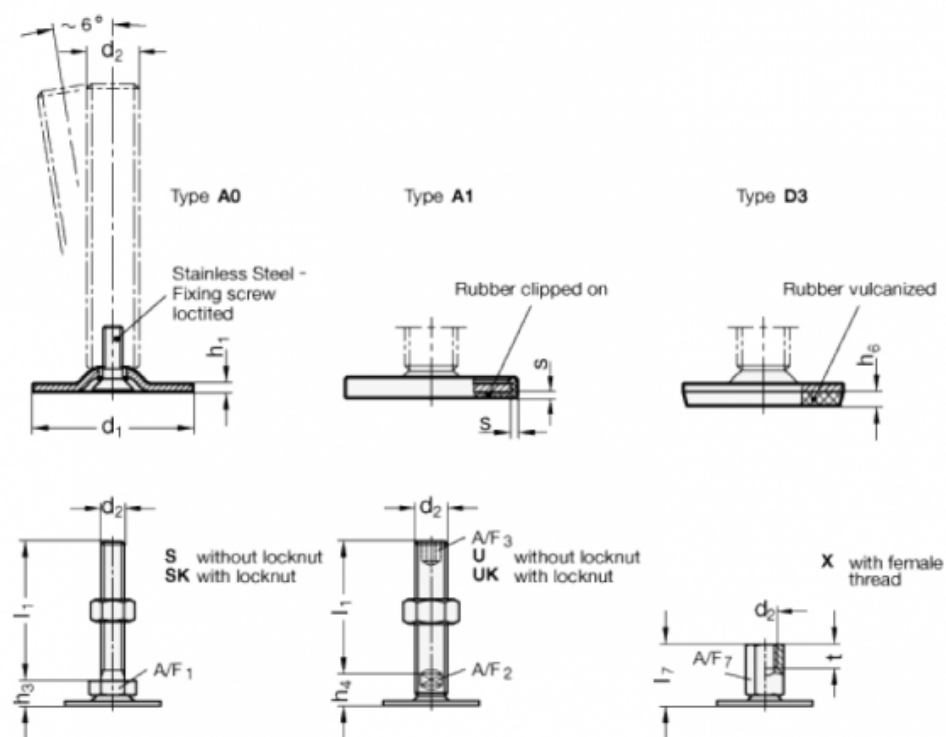


Article number: 204040M840A1SK

Description: E+G levelling foot  
GN 40-40-M8-40-A1-SK

Note: SK With nut, External hexagon at the bottom

## Measures



A/F1	= 17
d1	= 40
d2	= M8
h1	= 2
h3	= 11
h6	=
l1	= 40
s	= 1.5